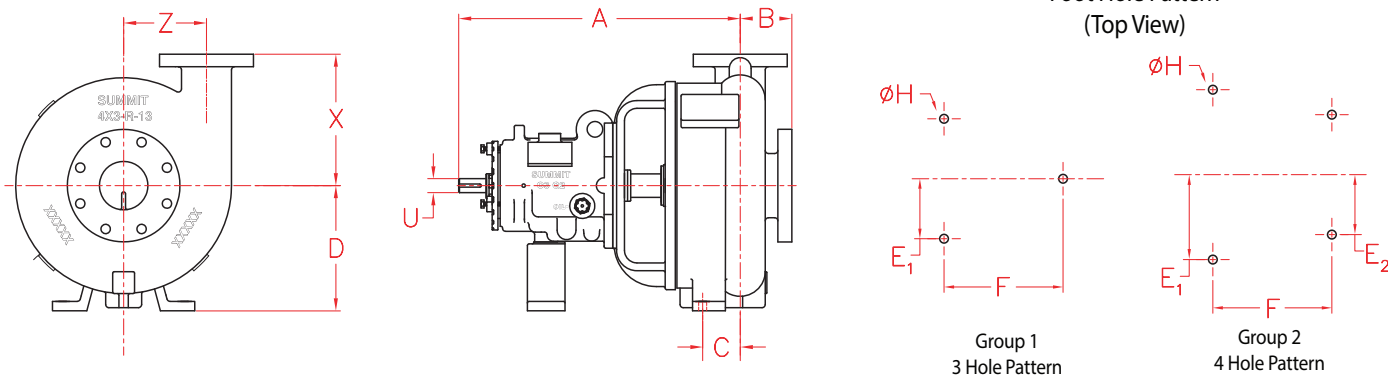


PUMP DIMENSIONS

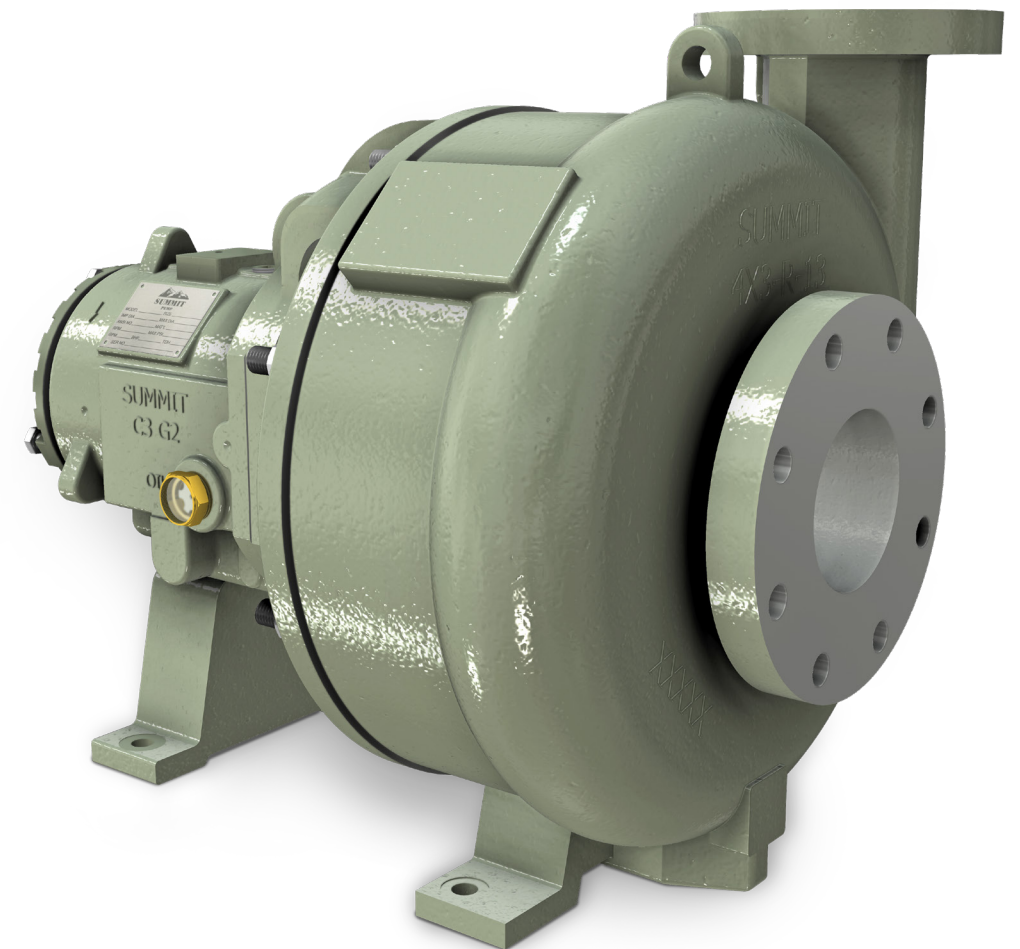


Group	Size	X	D	C	B	A	Z	Foot Pattern				Shaft	
								E1	E2	F	H	U	KEYWAY
I	2x2-R-6	6 1/2	5	5 4/7	3 1/4	19 1/16	2 3/4	3	0	7 1/4	5/8	7/8	3/16 x 3/32
	2x2-R-10	8 1/2	8 1/4	5 3/4	3 1/2	25 1/4	5 1/4	4 7/8	3 5/8	12 1/2		1 1/8	1/4 x 1/8
II	3x3-R-10	9	8 1/4	7 1/2	4 1/4	27	5 1/8				1 1/2	3/8 x 3/16	
	4x3-R-13	10 1/2	10	7 1/8	4 1/8	26 5/8	6 5/8						
	6x4-R-13	11 1/2	10	8 3/8	4 3/4	27 7/8	6 5/8						

SUMMIT™

CLARK 3R

CLARK 3R



CAPACITY
TO 2000 GPM

HEAD
TO 190 FEET

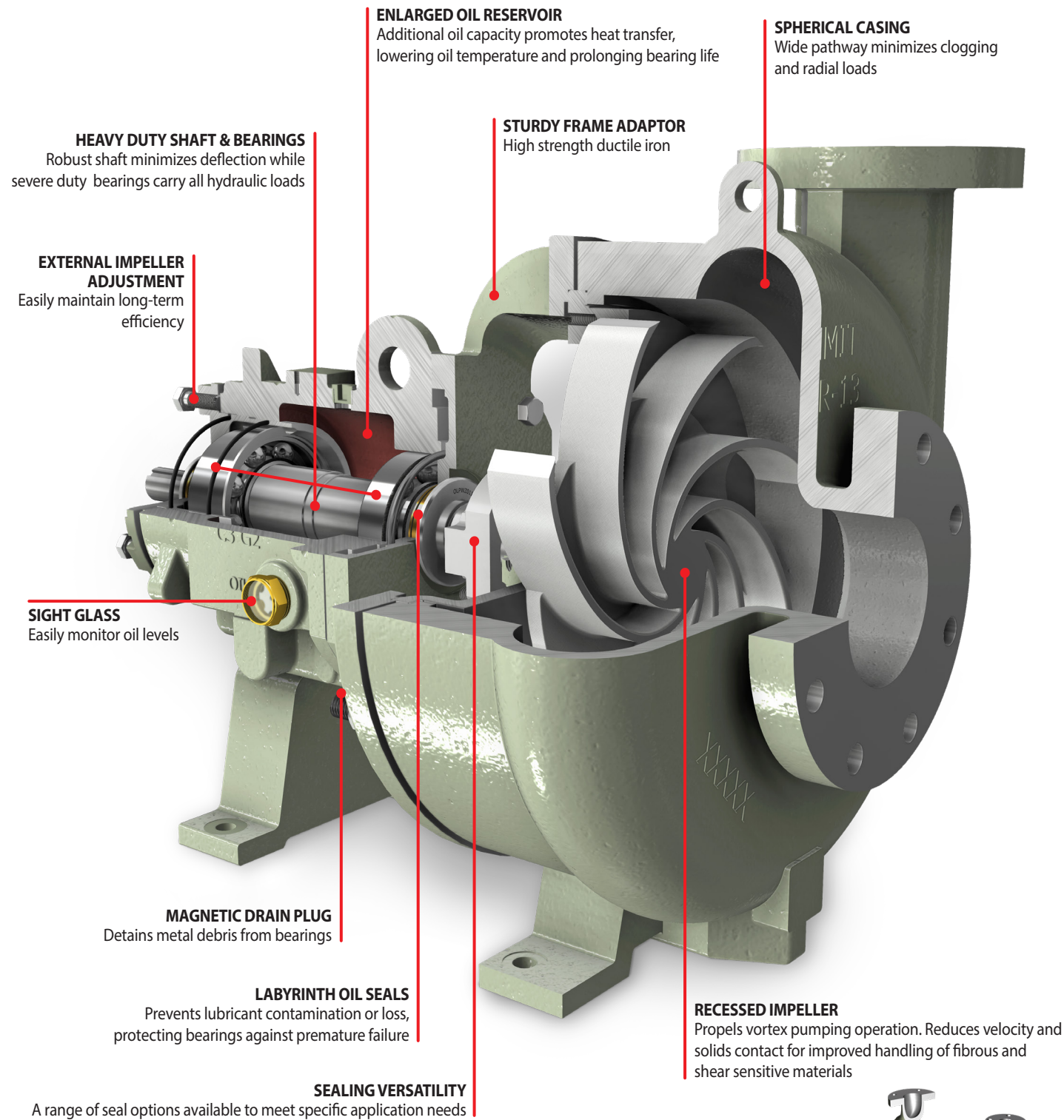
TEMPERATURE
TO 500°F

Clark 3 Recessed Impeller Pump

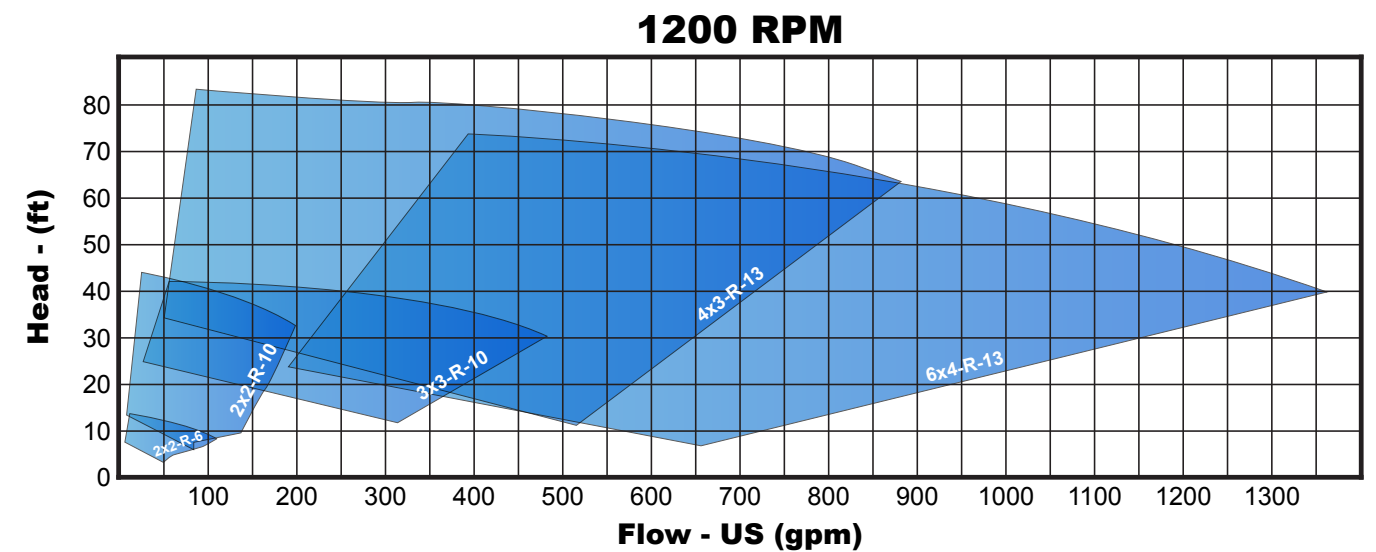
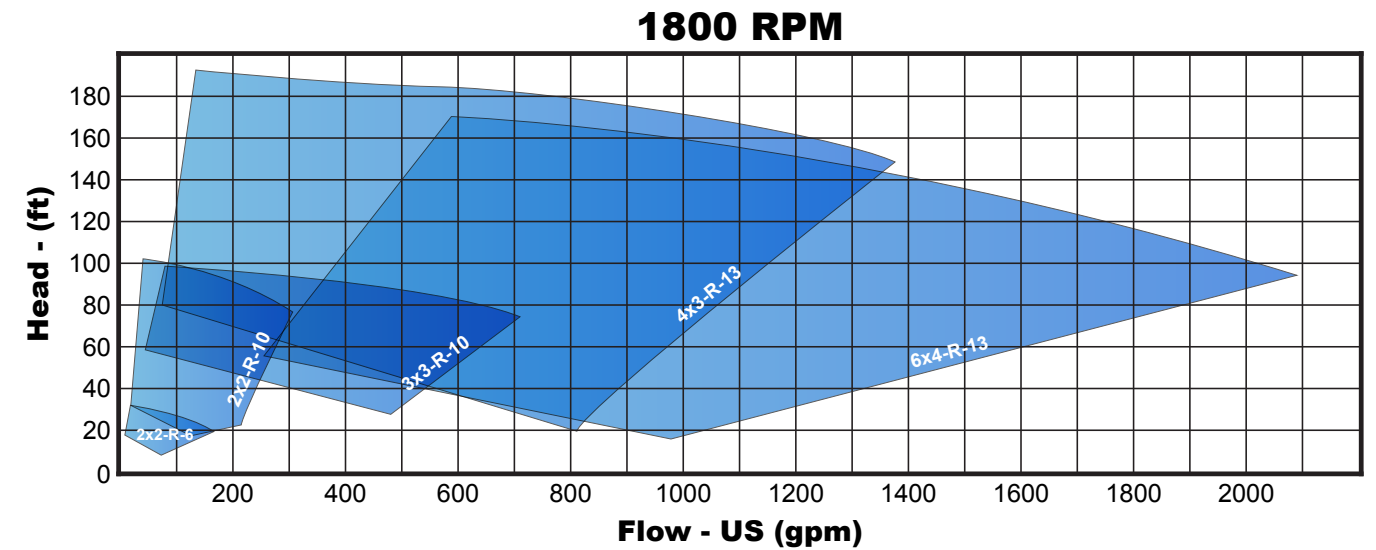
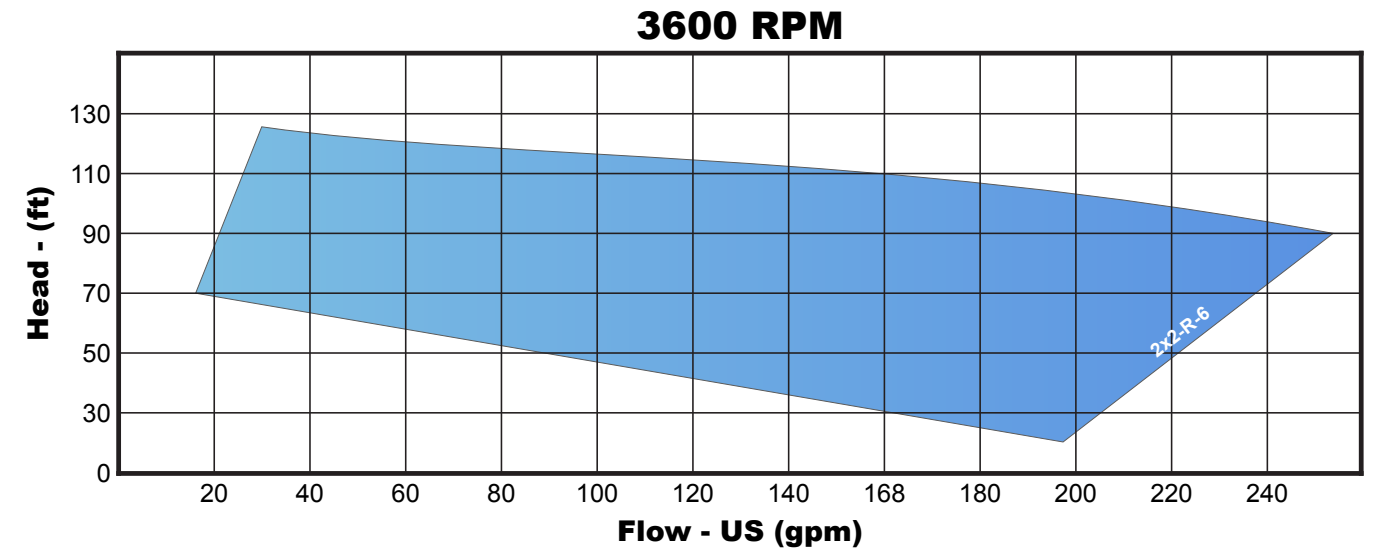
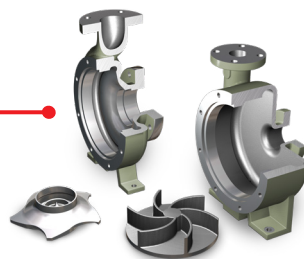


SUMMIT™
PUMP, Inc

www.SUMMITPUMP.com



INTERCHANGEABLE PARTS
Power ends and casings are exchangeable throughout the Clark 3 pump family, helping you reduce inventory and limit downtime



Note: Performance & Sizing curves are provided for reference only. For specific information, contact your distributor or the manufacturer.