

### Automatic:

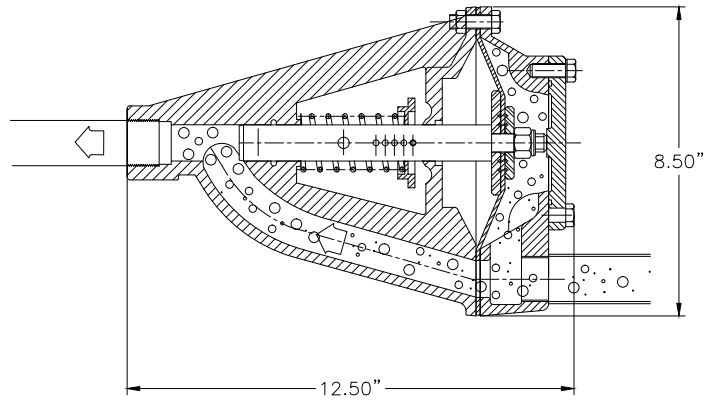
- Closes when air is fully evacuated
- Opens when flow becomes inert

### Self-Cleaning:

- Deposits settle while flow is inert
- Swept away with next start-up

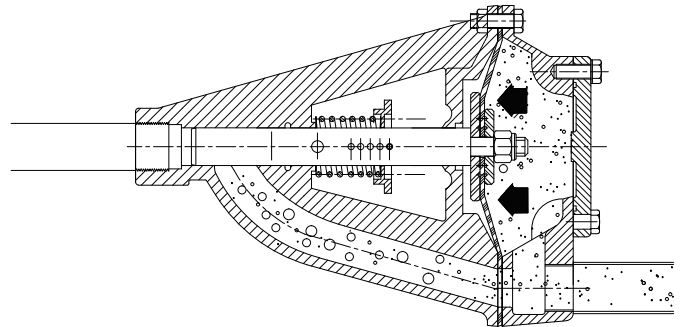
### Customizable:

- Adjustable compression distance
- Interchangeable springs
- Cast Iron or Stainless



### Priming Pump

Valve allows air to pass through



### Fully Primed Pump

Diaphragm is pushed in fully closing the valve



### Valve Selection

Valve Part Number	Discharge Head	Compression Rating	Connections (in)
SPX34715	4-17 ft (1.2-5.2 m)	10 lbs	1x1 NPT
SPX34714	18-49 ft (5.5-14.9 m)	25 lbs	1x1 NPT
SPX34714B	50+ ft (15.2+ m)	80 lbs	1x1 NPT

# Automatic Air Release Valve



**SUMMIT™**  
**PUMP, Inc**

[www.SUMMITPUMP.com](http://www.SUMMITPUMP.com)