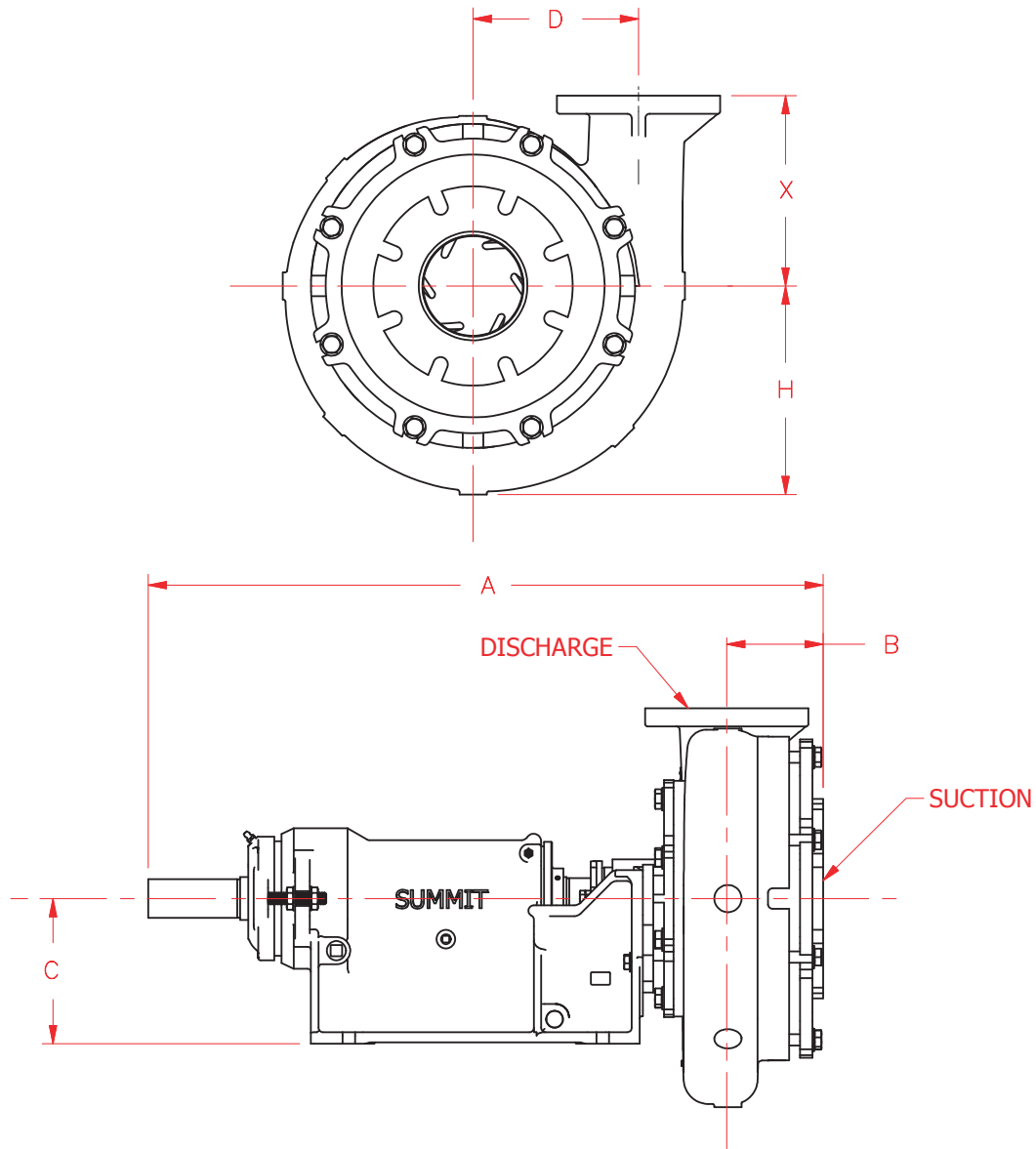


Model SJC Dimensional Data



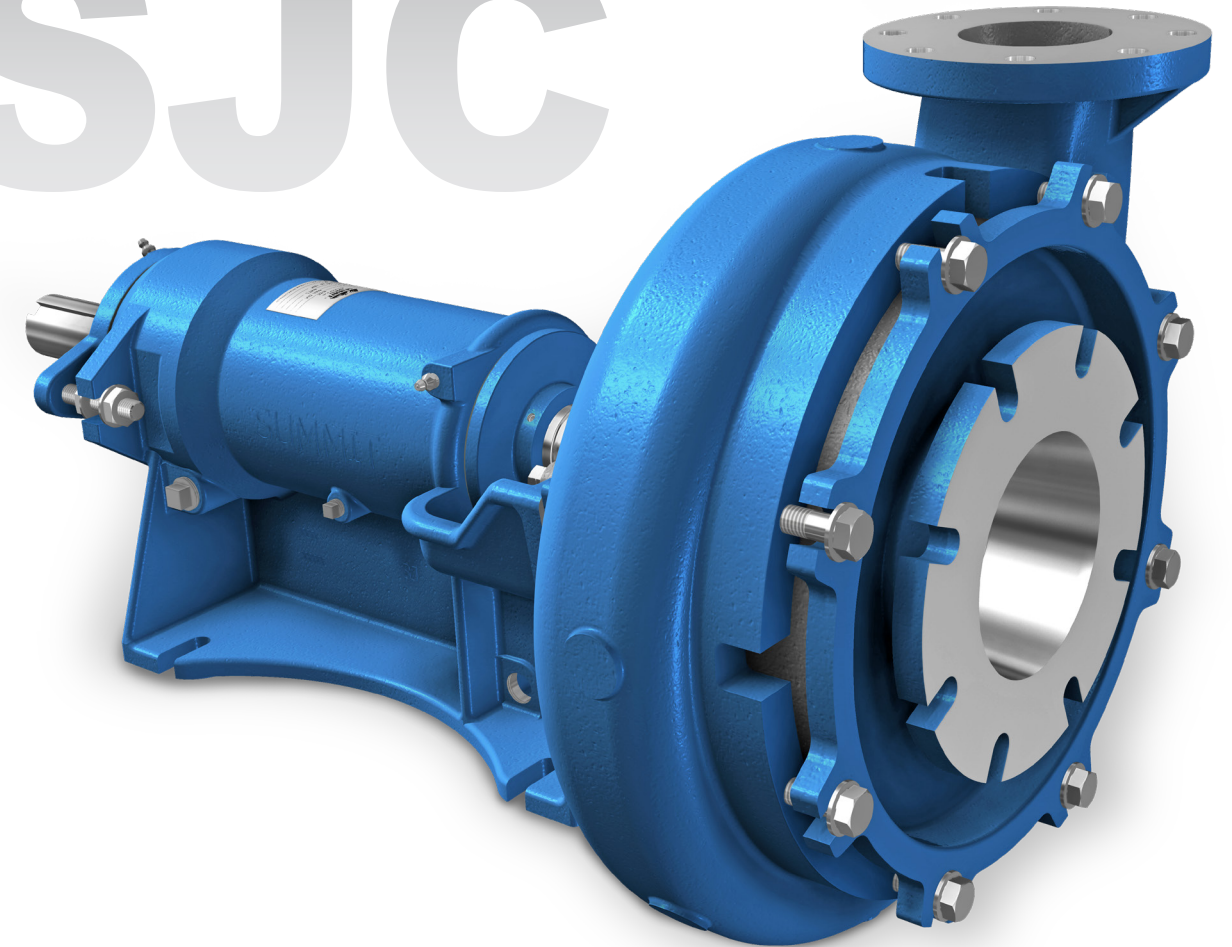
PUMP DIMENSIONS

| PUMP FRAME | PUMP SIZE | | | A Inch (mm) | B Inch (mm) | C Inch (mm) | D Inch (mm) | H Inch (mm) | X Inch (mm) | APPROX. BARE PUMP WT. LBS (Kg) |
|------------|-----------|------|-----|----------------|----------------|----------------|----------------|----------------|----------------|--------------------------------------|
| | DIS | SUC | IMP | | | | | | | |
| 1SJC | 1" | 1.5" | 8" | 31.00 (787) | 3.00 (76) | 6 (152) | 4.44 (113) | 5.75 (146) | 6.25 (159) | 190 (87) |
| | 1" | 1.5" | 11" | 31.00 (787) | 3.00 (76) | 6 (152) | 5.88 (149) | 6.25 (159) | 7.00 (178) | 220 (100) |
| | 1.5" | 2" | 8" | 31.50 (800) | 3.50 (89) | 6 (152) | 5.00 (127) | 6.38 (162) | 6.50 (165) | 195 (89) |
| | 1.5" | 2" | 11" | 31.50 (800) | 3.50 (89) | 6 (152) | 6.44 (164) | 7.88 (200) | 7.50 (191) | 230 (105) |
| | 2" | 3" | 8" | 32.00 (813) | 4.00 (102) | 6 (152) | 5.13 (130) | 6.75 (171) | 6.88 (175) | 205 (94) |
| 2SJC | 2" | 3" | 11" | 32.00 (813) | 4.00 (102) | 6 (152) | 6.56 (167) | 8.75 (222) | 8.00 (203) | 245 (112) |
| | 1.5" | 2" | 14" | 31.50 (800) | 3.50 (89) | 7 (178) | 7.88 (200) | 9.38 (238) | 8.25 (210) | 315 (144) |
| | 2" | 3" | 14" | 32.00 (813) | 4.00 (102) | 7 (178) | 8.06 (205) | 8.25 (210) | 9.00 (229) | 330 (150) |
| 3SJC | 3" | 4" | 11" | 32.75 (832) | 4.75 (121) | 7 (178) | 6.88 (175) | 9.12 (232) | 8.63 (219) | 300 (137) |
| | 3" | 4" | 14" | 36.75 (933) | 4.75 (121) | 8 (203) | 8.38 (213) | 10.62 (270) | 9.25 (235) | 440 (200) |
| 4SJC | 4" | 6" | 14" | 37.25 (946) | 5.25 (133) | 8 (203) | 9.13 (232) | 11.62 (295) | 10.50 (267) | 475 (216) |
| | 6" | 6" | 14" | 38.38 (975) | 5.63 (143) | 8 (203) | 9.50 (241) | 13.62 (346) | 12.50 (318) | 590 (269) |
| 5SJC | 3" | 6" | 18" | 42.26 (1073) | 6.00 (152) | 9 (229) | 11.50 (292) | 12.19 (310) | 12.00 (305) | 805 (366) |
| | 6" | 6" | 14" | 42.12 (1070) | 5.63 (143) | 9 (229) | 9.50 (241) | 13.62 (346) | 12.50 (318) | 710 (323) |
| | 8" | 10" | 18" | 46.38 (1178) | 9.63 (245) | 9 (229) | 13.00 (330) | 18.00 (457) | 16.50 (419) | 1020 (464) |
| 5SJC | 10" | 12" | 22" | 50.62 (1286) | 9.63 (245) | 11.50 (292) | 17.00 (432) | 21.88 (556) | 20.00 (508) | 1800 (819) |

SUMMIT™

SJC

SJC



CAPACITY
TO 7,000 GPM



TEMPERATURE
TO 250°F



HEAD
TO 240 FEET



SOLIDS
TO 2 1/4 INCHES

Medium Duty Slurry Pump

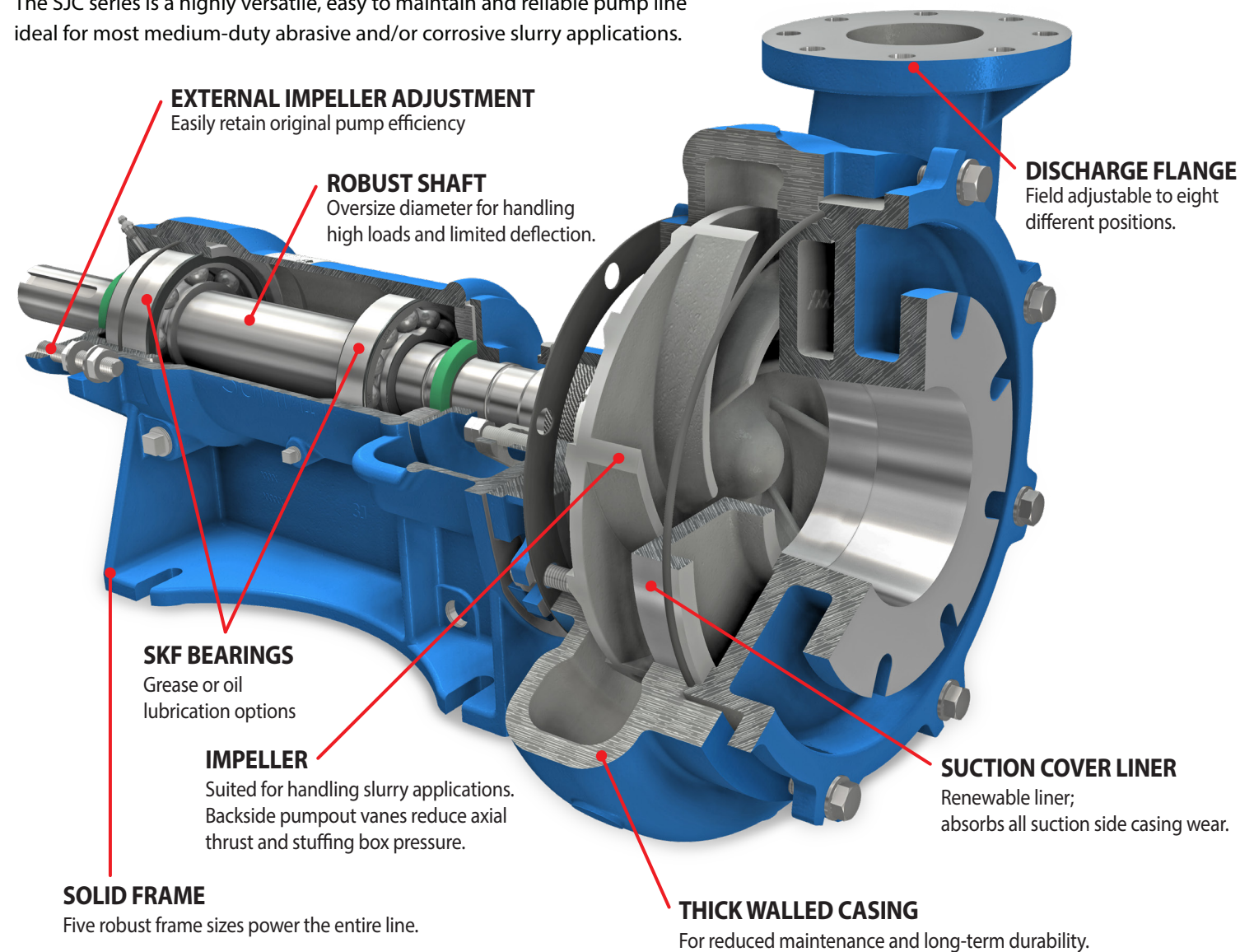


SUMMIT™
PUMP, Inc

www.SUMMITPUMP.com

DESIGN PRINCIPLE

The SJC series is a highly versatile, easy to maintain and reliable pump line ideal for most medium-duty abrasive and/or corrosive slurry applications.

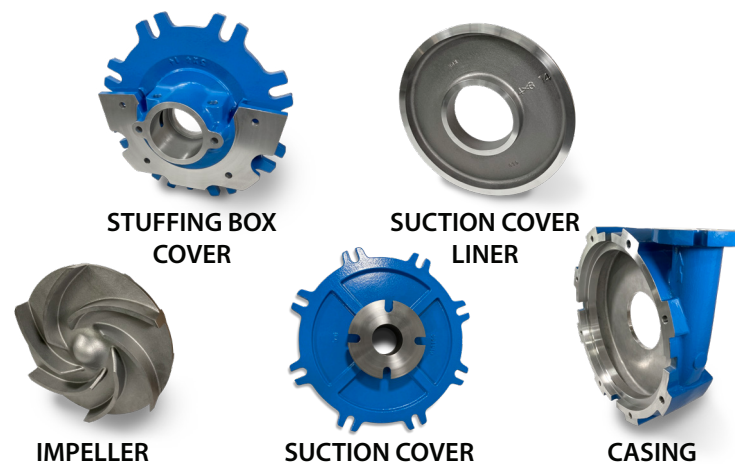


PARTS

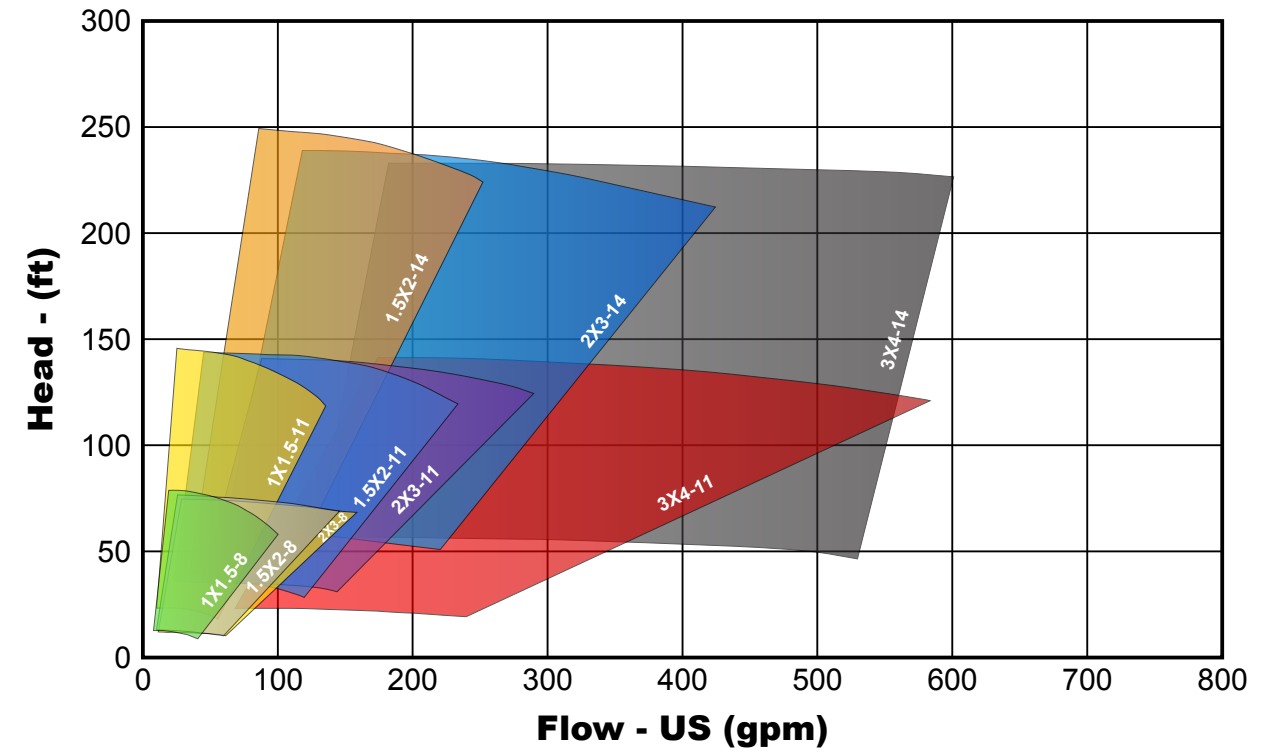
All components are designed for long-term service. Extra thick wet end components optimize maintenance schedules. The oversize shaft and one-piece solid frame offer continuous pump service even in harsh operating conditions.



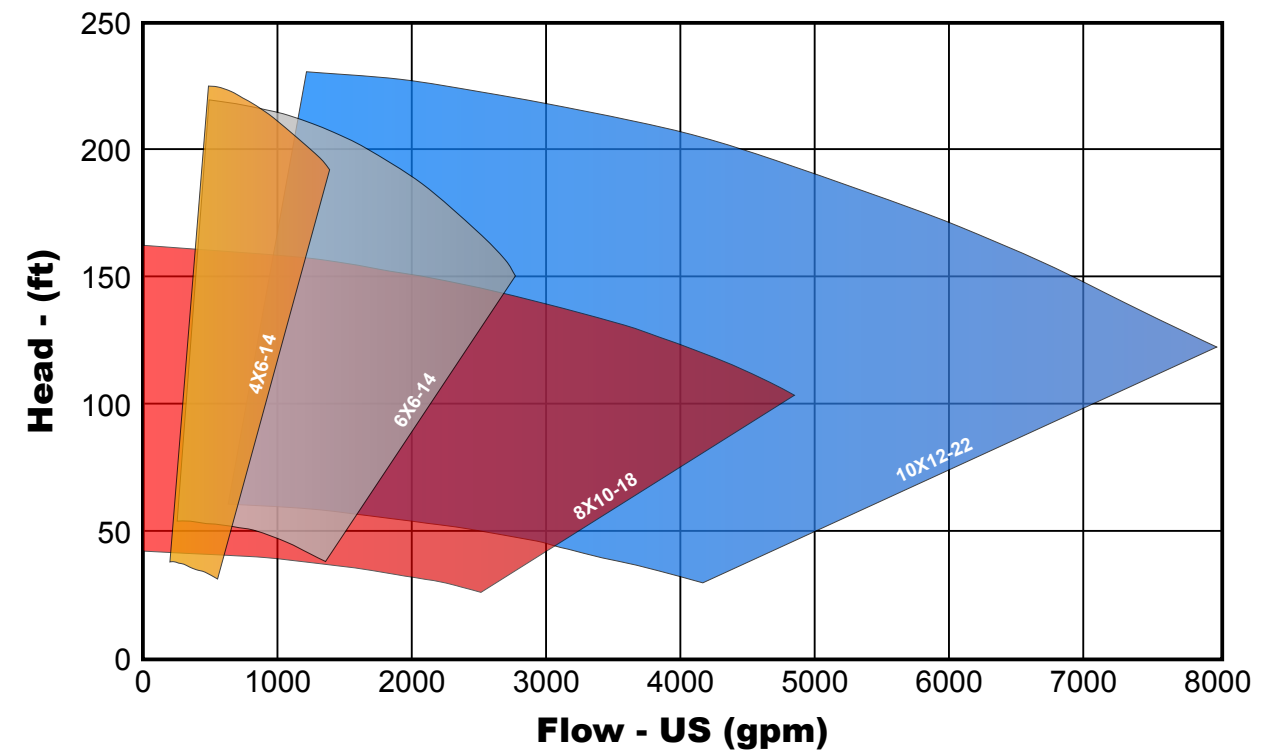
SUMMIT™
PUMP, Inc
www.SUMMITPUMP.com



Flow <1000 GPM



Flow ≥1000 GPM



Note: Performance & Sizing curves are provided for reference only. For specific information, contact your distributor or the manufacturer.